

WSI



Hollow Metal Doors & Frame | Residential Exterior & Interior Systems
Hardware | Lockers | Partitions | Specialty Hardware



WE SPECIFY IT

Our expert team can assist modular builders in specifying product to meet regional code and safety requirements.

WE SOURCE IT

We've partnered with global manufacturers to bring you the best product in its class.



WE SHIP IT

We are experts in getting our product to you safely. We routinely ship across Canada and into the USA.

WE SERVICE IT

Our team is always on standby and eager to provide comprehensive assistance. We go above and beyond for the industry.

WE SECURE IT

We cater to the modular industry by meticulously packaging, tagging and securing our tailor-made crating solutions.

WESTFOUR



Contacts

<p>Lynne Fafard <i>CEO</i> Phone: 306-934-5147 lynnef@westfour.ca</p>	<p>Mark Oprecio <i>Sales Manager</i> Phone: 780-455-4613 marko@wsimodular.ca</p>	<p>Robert Goodridge <i>Project Coordinator/ Estimator</i> Phone: 780-455-4613 robertg@wsimodular.ca</p>
<p>Mark Fafard <i>Executive VP</i> Phone: 306-934-5147 Cell: 306-220-8686 markf@westfour.ca</p>	<p>Jay Fafard <i>COO</i> Phone: 306-934-5147 Cell: 306-203-0858 jayf@westfour.ca</p>	<p>Claude Hounjet <i>CFO</i> Phone: 306-934-5147 claudeh@westfour.ca</p>



Table of Contents

2023

6-19	Commercial Doors, Hardware & Accessories
6-8	Commercial Doors and Frames
9-10	Commercial Steel Door & Frame Specifications
11-13	Masonry Welded Frame Specification
14	Modular Services & WSI Door Painting Service
15-19	Commercial Hardware
20-29	Building Specialties
30-39	Exterior Door Systems
30-31	Madero Entry Series & Designer Entry Series
32-33	Madero Artisan Series
34-35	Customize Your Door
36-37	Door Specifications
38-39	Door Frames
40-61	Interior Door Systems
41-43	1-3/4" Fire Rated Door Systems
44-45	Suite Entry Hardware Options
46-47	1-3/8" Interior Door Systems
54-55	Barn Door Kits
56-57	Pocket Door Hardware
58-59	Sliding Door Hardware
60-61	Bypass Door Hardware

Commercial Doors, Hardware & Accessories



Hollow Metal Doors

Hollow Metal doors are available in 20, 18 or 16 gauge for commercial and industrial usage. Lockseam (LS) doors are made from Galvanneal steel. They are available in honeycomb core for interior use, insulated with polystyrene or polyurethane for exterior applications and sound transmission control. Fire rating to 3 hours. Also available with temperature rise core.

Widths: 2/0 to 3/0, in 2-inch increments as standard, 3/6, 4/0

Heights: 6/8 or 7/0, in 2-inch increments as standard.

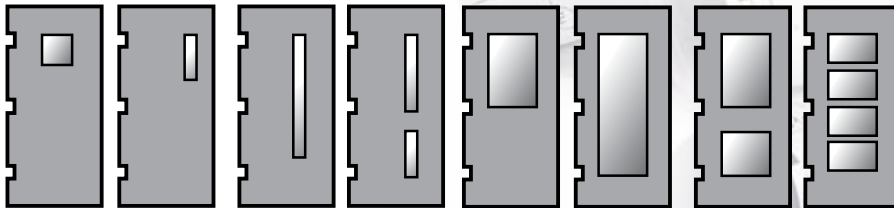
Maximum sizes for double doors: 8/0 x 8/0.

Custom, non-standard and oversize also available.

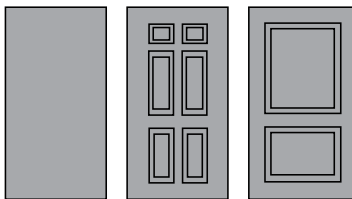
DAYBAR



Glazing Options



Decorator Options



Flush

6 Panel

2 Panel

Up to 90 minute
fire rating

Welded Special Purpose Frames

Engineered Frames can be supplied to suit any opening. Available in a wide range of sizes, configurations and jamb depths to suit most wall conditions.

Locksets & Hardware

Heavy duty devices, commercial locksets and luxurious architecturally designed hardware to meet every specification.

No matter how unique your project, we can help. Talk to one of our sales associates to learn more about our wide variety of special order products.

HINGE AND LOCK LOCATIONS			
HINGE LOCATION (from top of door to top of each hinge)	6/8 HEIGHT	7/0 HEIGHT	
	7-3/8"	7-3/8"	
	37-5/16"	39-5/16"	
	67-1/4"	71-1/4"	
LOCK LOCATION (from top of door to center of hole)			
	Lockset Hole	39-9/16"	43-9/16"
	Deadbolt Hole	33-9/16"	37-9/16"

OSM OF FRAME		
DOOR WIDTH	OSM OF FRAME FOR SINGLE DOOR	OSM OF FRAME FOR DOUBLE DOOR
2/6 (29-3/4")	34"	64"
2/8 (31-3/4")	36"	68"
2/10 (33-3/4")	38"	72"
3/0 (35-3/4")	40"	76"
DOOR HEIGHT	OSM OF FRAME HEIGHT	
6/8 (79-1/8")	82"	
7/0 (83-1/8")	86"	

ROUGH OPENING		
18GA Expandable Steel Frame (Expands From 4-1/2" - 7-5/8")		
16GA Large Expandable Steel Frame (Expands From 7-5/8" - 12-1/2")		
DOOR WIDTH	ROUGH OPENING FOR SINGLE DOOR	ROUGH OPENING FOR DOUBLE DOOR
2/6 (29-3/4")	31-1/2"	61-3/4"
2/8 (31-3/4")	33-1/2"	65-3/4"
2/10 (33-3/4")	35-1/2"	69-3/4"
3/0 (35-3/4")	37-1/2"	73-3/4"
DOOR HEIGHT	ROUGH OPENING HEIGHTS (FINISHED FLOOR)	
6/8 (79-1/8")	81-1/8"	
7/0 (83-1/8")	85-1/8"	

16 GA Welded Masonry Steel Frame
(5-3/4" jamb depth with a 4-3/4" throat)

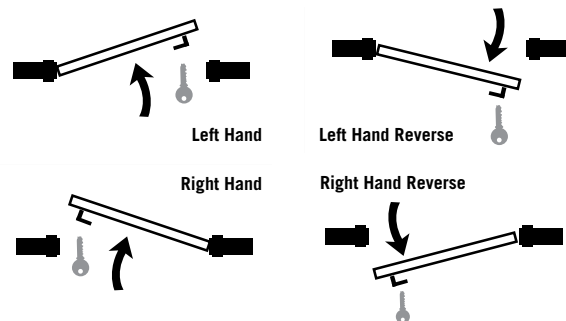
16 GA Welded Masonry Steel Frame
(7-3/4" jamb depth with a -3/4" throat)

DOOR WIDTH	ROUGH OPENING FOR SINGLE DOOR	ROUGH OPENING FOR DOUBLE DOOR
2/6 (29-3/4")	34-1/4"	64-1/4"
2/8 (31-3/4")	36-1/4"	68-1/4"
2/10 (33-3/4")	38-1/4"	72-1/4"
3/0 (35-3/4")	40-1/4"	76-1/4"
DOOR HEIGHT	ROUGH OPENING HEIGHTS (FINISHED FLOOR)	
6/8 (79-1/8")	82-1/4"	
7/0 (83-1/8")	86-1/4"	

DOOR HANDING

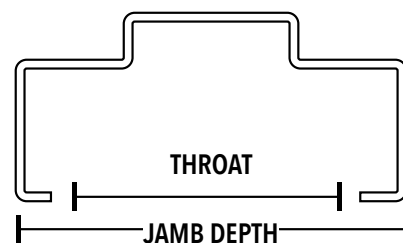
Rules:

1. The hand of the door is always determined from the outside.
2. The outside of an exterior door is the street or entrance side.
3. The outside of an auditorium door is the corridor or hall side.
4. The outside of a room is the corridor or hall side.
5. The outside of a closet door is the room, corridor or hall side.
6. The outside of a single communicating door is the side from which the butts are visible when the door is closed.



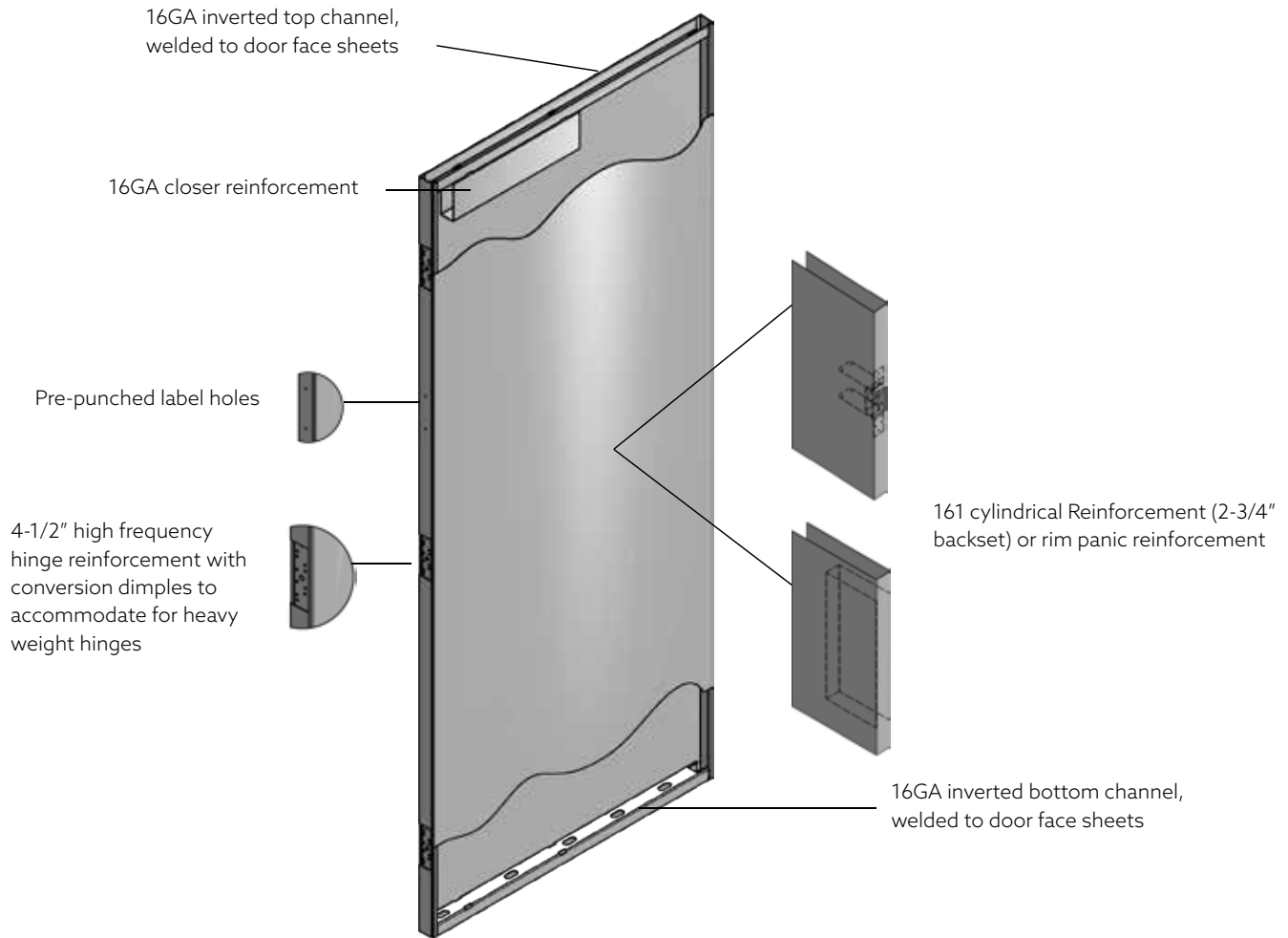
Hand (swing) of door from key operating side

FRAME DETAIL



Commercial Steel Door Specifications

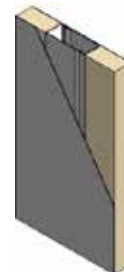
LS Series Doors - Lock seam 1-3/4" thick



High density honeycomb paper core laminated to door face



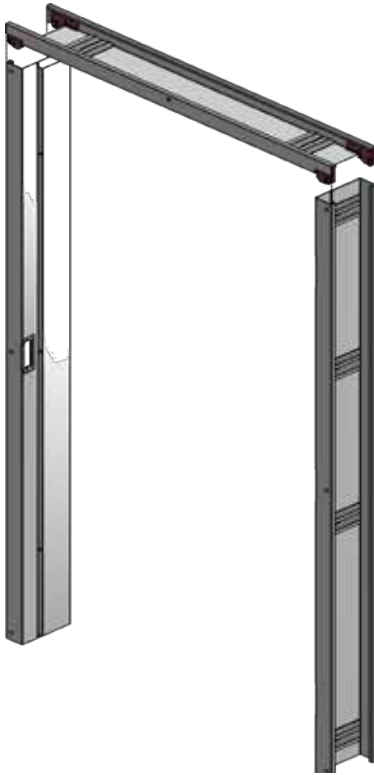
Polystyrene/Polyisocyanurate permanently bonded to inside of door skin generating an "R" factor of 6 or 12.



Laminated Vertical Steel Stiffeners at 6" on center. Voids filled with fiberglass insulation. **CW Series:** Edge seams continuously welded. Steel Stiffeners are projection welded to face sheets at 6" on center. Voids filled with fiberglass insulation.

Commercial Steel Expandable Frame Specifications

Regular Reversible KD Frame



Specifications

Gauge: 18GA
Height: 6/8 to 7/0
Width: 2/0 to 8/0

Fire Rating

WHI 90min Maximum
 (for single or double openings)

Adjustable & Reversible

Adjustable Reversible Series Frames provide the ultimate versatility for use in drywall or masonry butt applications. ADJ REV frame will accommodate wall thickness ranging from 4-1/2" to 7-3/4".

ADJ REV frame provides the ideal strength and durability for all commercial, residential and new construction applications.

Machining

- Prepared for (3) 4-1/2" hinge reinforcing
- ASA (4-7/8") Strike Reinforcement
- Square cut corners
- Sliding interlocked brackets that operate smoothly and positively
- Faces punched and dimpled for wall anchoring
- Silencer holes



Large Expandable KD Frame

Specifications

Gauge: 16GA
Height: 6/8 to 7/0
Width: 2/0 to 8/0

Wall Thickness

ADJ-Large: 7-1/2" to 12-1/4"

Fire Rating

WHI 90min Maximum
 (for single or double openings)

Frame Profile

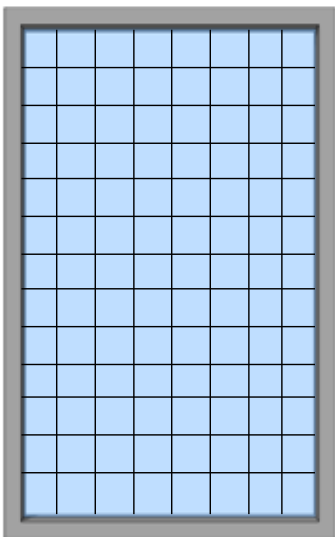
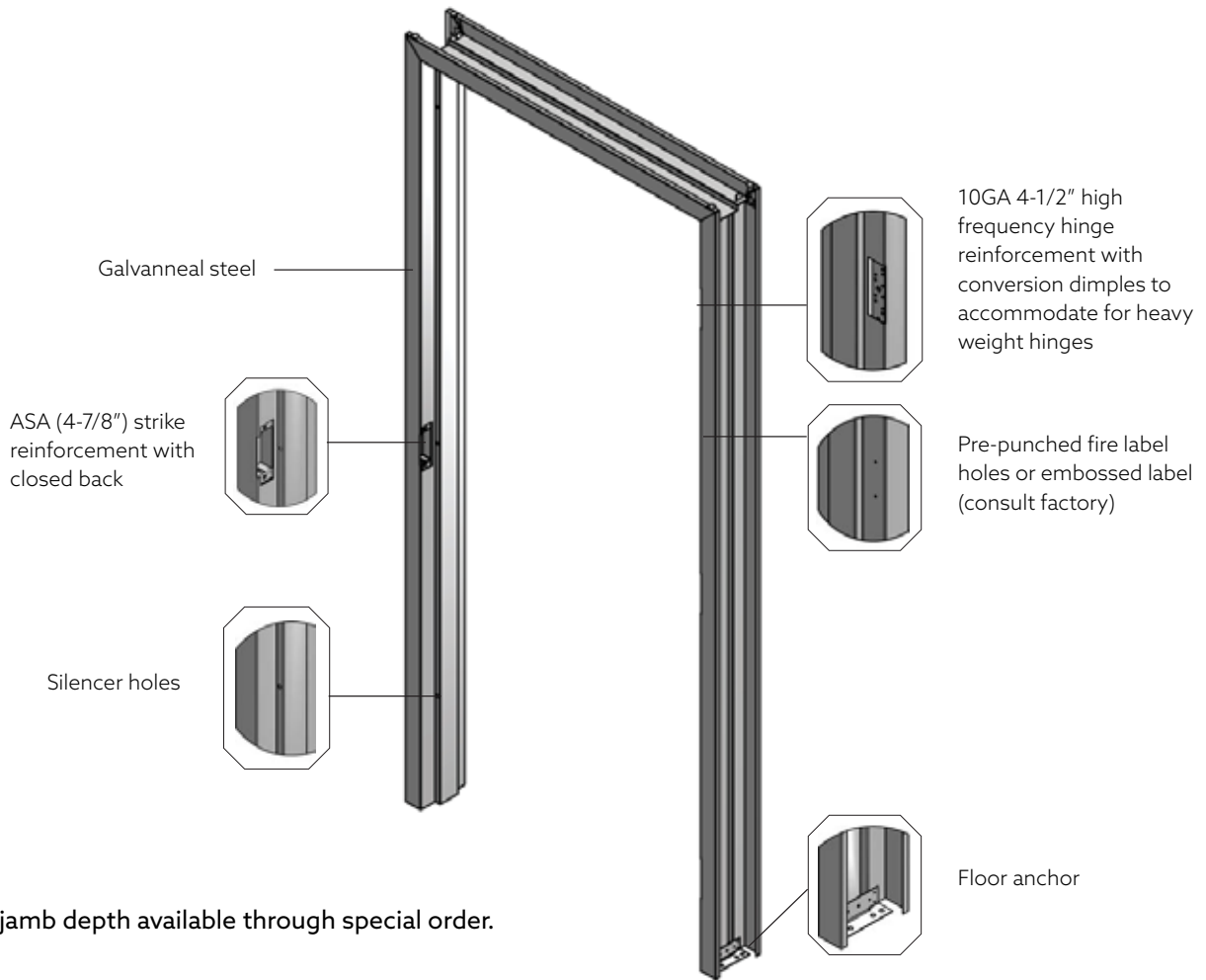


Machining

- Knock Down (KD) Corner Connection
- Prepared for (3) 4-1/2" hinge reinforcing
- ASA (4-7/8") Strike Reinforcement
- Square cut corners
- Sliding interlocked brackets that operate smoothly and positively
- Faces punched and dimpled for wall anchoring
- Silencer holes
- #7 Drywall Screws (6 per jamb, 4 per head)

Masonry Welded Frame Specifications

Fix Throat 16GA Welded Frame - 5-3/4" or 7-3/4" Jamb Depth



Welded B Light Fire Rated Windows

Specifications

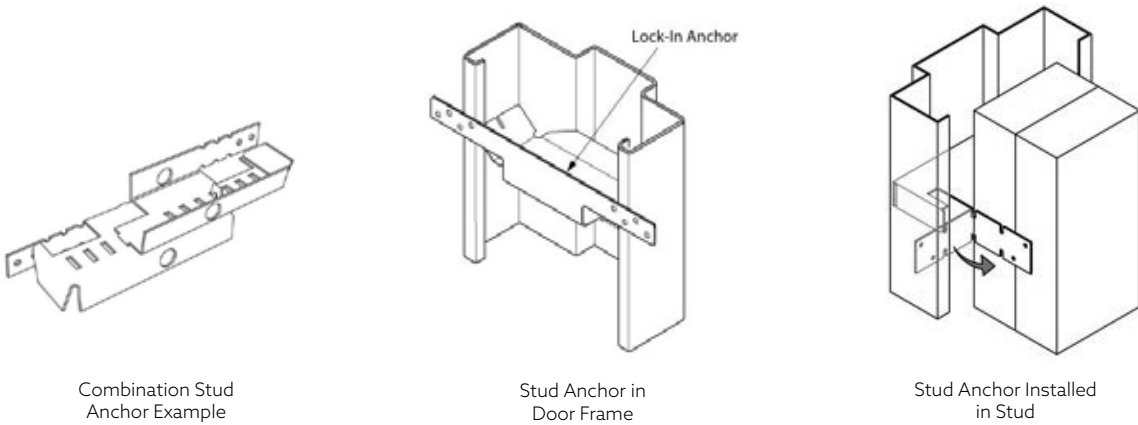
Gauge: 18GA
Depth: 5-3/4" / 7-3/4"

Fire Rating

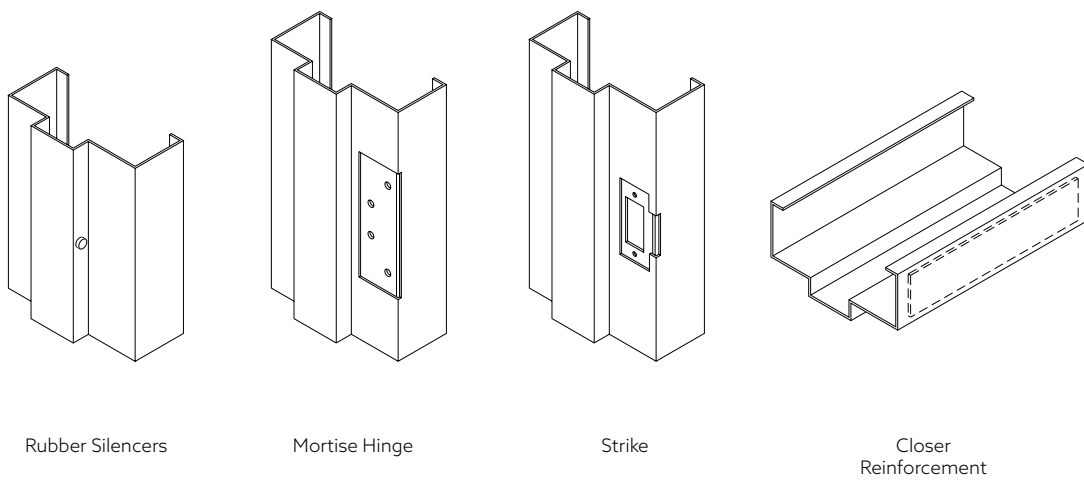
45 minutes

Custom windows and sidelites available through special order.

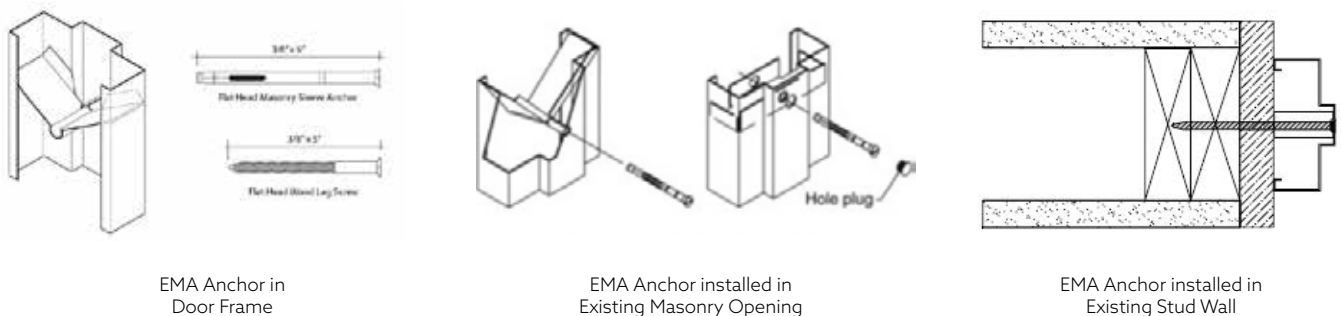
Combination Stud Anchors



Standard Steel Frame Hardware Preparations



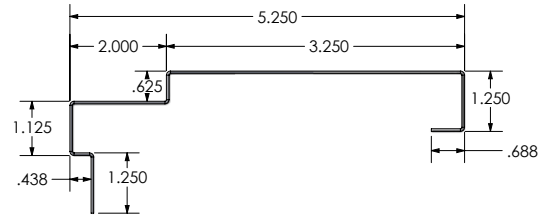
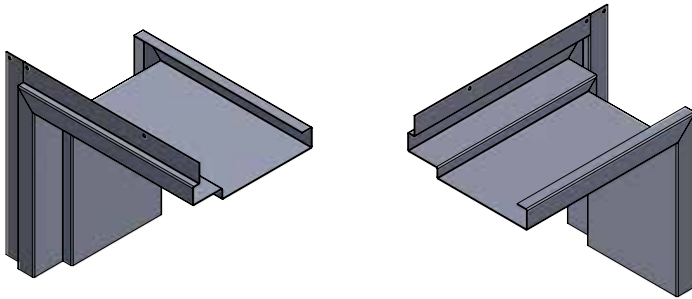
EMA Existing Wall Anchors



Flange Frame Profile 5-1/4"

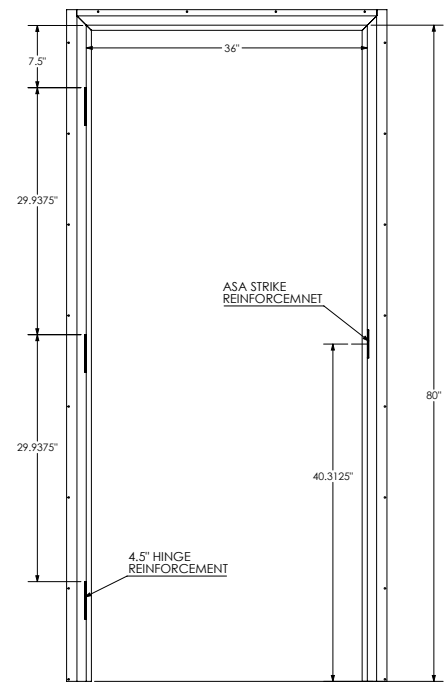
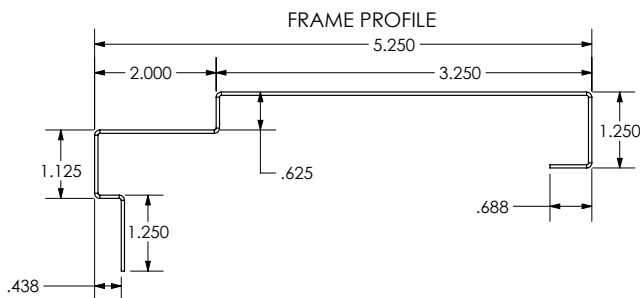
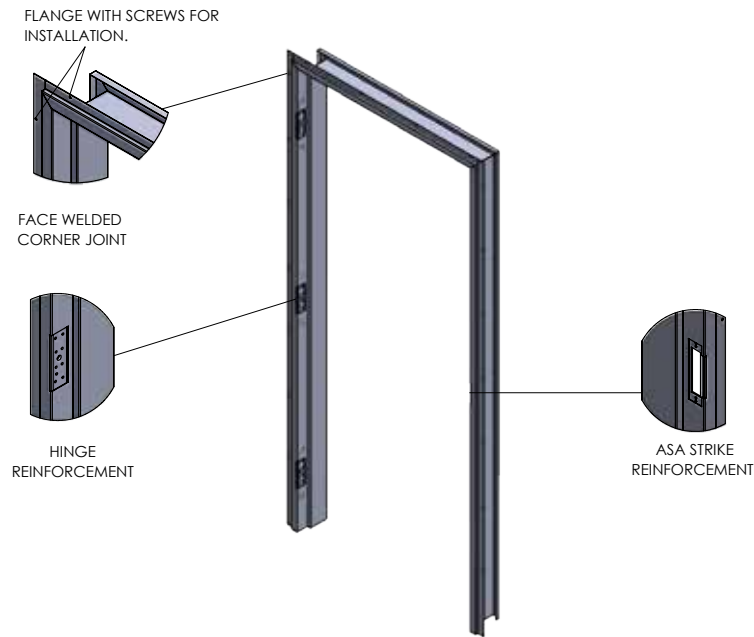
3'0" x 6'8" Door Unit

Rough Opening: 37-3/4" x 80-7/8"



Flange Frame 5-1/4" Jamb

- Flange masonry welded frames are made to suit application in Modular settings.
- These frames come completely welded with a flange all the way around with the screw holes for installation.



Frame Assembly

Modular Services

Pre-Install Hardware

- Panic / Trim
- Lockset / Deadbolt
- Closers
- Kickplates / Push & Pulls
- Closer / Checkchains
- Hinges

Painting

- Wood / Fiberglass / Commercial Steel
- Stock colours available
- Custom colour match with single or dual colour

Special Crating

- Bulk Project Crating
- Individual unit packaging
- Standing Pallets
- Individual and package tagging

WSI Doors Painting Service

WSI has the ability to paint any wood / fiberglass / commercial steel surface with a low sheen baked finish. Our automated paint line and spray booth allow us to handle both larger projects with ease and small custom jobs efficiently. High quality standards are consistently upheld and warranted for a period of one year.



TL Series Commercial Lockset

Specifications:

- The DOREX TL cylindrical door lock offers durable, hassle-free operation for commercial and residential medium traffic applications.
- Conforms to ANSI/BHMA A156.2, series 4000, Grade 2
- cULus listed, 3 hr fire rating
- 1 Year limited warranty



TL Series Commercial Deadbolt

Specifications:

- The DOREX TLA is a versatile commercial deadbolt for moderate commercial and heavy-duty residential traffic applications.
- Conforms to ANSI/BHMA A156.5, Grade 2
- cULus listed, 3 hour fire-rating
- 1 Year limited warranty



F Series Commercial Lockset

Specifications:

- The F Series is ideal for commercial areas such as office buildings, stores, multi-family residences and other mixed projects.
- Certified ANSI/BHMA A156.2, series 4000, Grade 2
- ANSI/UL 10C Positive Pressure Rated
- For doors 1-3/8" - 1-3/4" thick
- Non-handed
- Concealed mounting plate and screws
- 5 year limited warranty



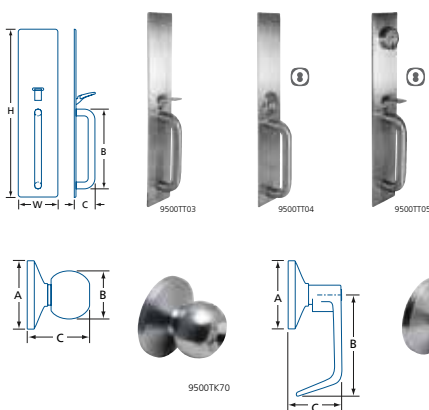
9500PR/FR Series Rim Exit Device

Specifications:

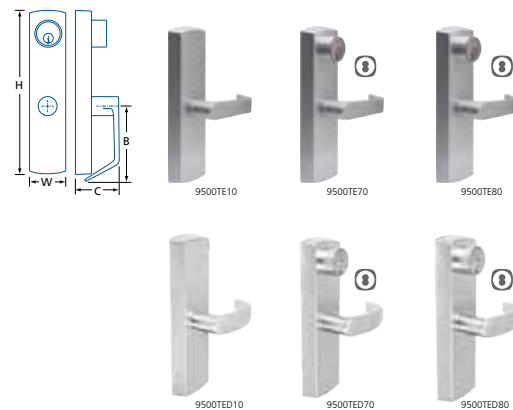
- The DOREX 9500 is a heavy duty exit device with contemporary style and exceptional performance for high traffic applications.
- Certified ANSI/BHMA A156.3, Grade 1
- cULus listed, Panic Hardware, 3 hr Fire Exit hardware
- For wood or hollow metal doors 30-48" (762-1219 mm) wide¹
- Push-pad type: Rim (non-handed), Surface vertical rod (handed, reversible)
- 5 year limited warranty



9500TT Handleset Trim



9500TE Escutcheon Trim



Hinges

NRP Ball Bearing 4-1/2" Hinges (Outswing) Ball Bearing 4-1/2" Hinges (Inswing)

Specifications:

- 4-1/2" X 4" Ball Bearing Hinges / Set of 3
- Non removable pin (NRP) for outswing application
- Suitable for moderate to high traffic applications
- Satin Chrome finish
- Quality wood screws and undercut machine screws are included



Non-removable pin ball bearing 4 1/2" hinges

Self Closing Hinge 4-1/2" x 4 SQ

Specifications:

- 4-1/2" X 4" self closing hinge
- Suitable for moderate to high traffic applications
- Satin Chrome finish
- Quality wood screws and machine screws are included



Self Closing 4 1/2" hinges

Door Closers *Safety, security and uncompromising value.*

DOREX®

700 Series Door Closer

The DOREX 700 Series fixed power door closer is recommended by door hardware specialists for use on a wide variety of residential and commercial applications with moderate traffic.

Specifications:

- For moderate traffic applications
- Non-handed
- Cast aluminum alloy body
- Hydraulic rack & pinion mechanism
- Non-gumming, non-freezing hydraulic fluid
- 180° maximum opening
- 5 Year limited warranty



700 Series Door Closer

1900 Series Door Closer

The DOREX 1900 adjustable power door closer offers exceptional performance for high traffic applications. This versatile door closer is the choice of door hardware specialists for both function and appearance.

Specifications:

- For high traffic applications
- Non-handed
- Cast aluminum alloy body
- Hydraulic rack & pinion mechanism
- 10-Year limited warranty



1900 Series Door Closer

Sill & Weatherstrip Kit

Sill and Weatherstrip Kit

Designed for exterior use single entry frames requiring high performance weatherstripping, sill and sweep.

Kit Includes:

Sill

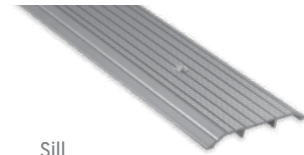
- Extruded aluminum
- 5" wide x 1/2" rise x 36" long
- Punched and countersunk for #10 Robertson flat head wood screw
- Wheelchair accessible
- UL Fire Labelled

Weatherstrip

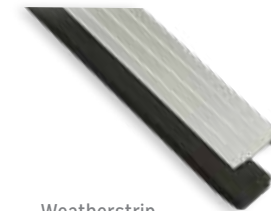
- 1 set 1-36" & 2-84"
- Extruded aluminum c/w cold temperature vinyl insert.
- Actual size: 1-1/8" (28.7mm) wide.

Sweep

- 1 pc. 36" brush sweep
- Extruded aluminum clear anodized
- Actual size: 1-3/8" (28.7mm) high x 36" length.



Sill



Weatherstrip



Sweep

Hardware Vendors



Door Operators

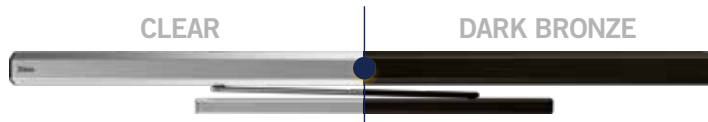


ENTRE//MATIC

Door Operators

Durable & quiet automatic swing door operators transform virtually any interior door from manual to modern, touchpoint to touchless.

Ditec HA7 Slim Low Energy Operator



● **SETUP ASSIST**

Setup is a breeze with a step-by-step walk-through right inside the app.

● **CUSTOM FUNCTIONS**

Make the HA7 work for you by customizing preferences for a more personalized experience.

● **DOOR CONTROL**

Features like partial open, hold open, push & go, power assist, and stop on stall are all at your fingertips.

● **MULTI-PLATFORM ACCESSIBILITY**

Available through both the Apple and Google Play stores means more control for more people.



low energy



app controlled



one-hour install



push & go



ADA



Ditec HA8-SP Standard Profile Low Energy Operator

HA8-SP is the standard profile low-energy operator that works in every application including high-traffic and exterior. The standard profile can be installed in hospitals, retail stores, schools, airports, convention centers, industrial buildings, and offices.



Ditec HA8 in clear with push arm



Ditec HA8 in bronze with pull arm



Ditec HA9 Full Featured Low Energy Operator

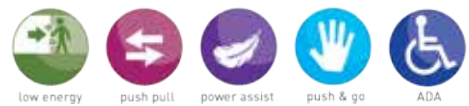
HA9 is a low-energy operator loaded with features while offering the same quiet, dependable operation you've come to expect in a low-profile header size. The HA9 is perfect for high-traffic locations including schools, hospitals, retail stores, airports, convention centers, industrial buildings, and offices.



Ditec HA9 in bronze with pull arm



Ditec HA9 in clear with push arm



Building Specialties





Floor Mats & Grilles

CS has been innovating entrance flooring for over 45 years, providing the largest portfolio of beautiful options to protect your entrance which include mat systems, grid systems, modular tile systems, specialty flooring, anti-fatigue flooring, and architectural accents. Explore what solutions are the right fit for your project, to reduce maintenance costs while keeping your building occupants safe.



PediTread

Smooth rolling surface, solid feel underfoot with the industry's strongest grid handles.



PediMat

Strong, lightweight rails and aluminum hinge connectors offer maximum performance in high traffic areas.



Rubbermaid Wire Shelving

Rubbermaid carries the standard for high-quality steel epoxy-coated wire shelving. Durable and reliable, it has become the norm in most new homes. White or Satin Nickel finish.



hadrian®

Boot Racks

Installed near entrance areas of a building, boot racks provide the perfect solution to wet, dirty, tracked-up floors and excessive floor maintenance.





Lockers

Quality You Can Count On

Hadrian's unique locker design features a rigid double-pan, full height piano hinge, durable powder coated finish and many other intelligent features to ensure they will look and perform great in any facility. Trust Hadrian for quality you can count on.

Fast Lead Times

On time and intact means no job site surprises. With superior packaging and fast on time deliveries, your Hadrian lockers will be there when you need them—damage-free!

Environmentally Friendly

Hadrian's powder coated lockers have an excellent recycled content of 50% (36% post-consumer and 14% pre-consumer), making them a great choice for environmentally sensitive projects. In addition to the high recycled content of the steel, Hadrian is proud of the fact that its powder coating system is environmentally friendly. There is virtually no waste, energy consumption is low, and there are no solvent emissions.

Outstanding Fire Resistance

Fire resistance is an important consideration for any public space. Hadrian's powder coated metal lockers are completely fireproof.





cendrex

Access Doors

Cendrex manufactures a full line of Access Doors, Roof hatches and Floor Hatches to meet any job requirement from residential to commercial to industrial.



Bike Racks

Available in different lengths, colours, finishes, and sizes to securely and safely store bicycles.





Garbage and Laundry Chutes

Fire-rated standard chute doors for garbage, linen, or recycling systems.



Mailboxes

Vertical or horizontal, recessed wall-mounted mailboxes.

Toilet Partitions



FLOOR MOUNTED



FLOOR TO CEILING



CEILING MOUNTED



HEADRAIL BRACED



hadrian®

Toilet Partitions

Hadrian is a worldwide supplier of quality toilet partition and locker products. Hadrian was the first manufacturer to powder coat toilet partitions and has continued to embrace new technologies and materials in order to offer architects, designers and end-users more flexibility in design.

Hadrian's wide range of toilet partition products includes powder coated metal, stainless steel, embossed stainless steel, and solid plastic. Lockers are available in Emperor (corridor), Gladiator (athletic), and replacement front styles.

Washroom Accessories



V BLADE HAND DRYER



DB HAND DRYER



AIRBLADE™ WASH+DRY HAND DRYER



Bobrick is recognized as an industry leader in well-designed, value-oriented washroom accessories



Architects and engineers turn to Bradley for the industry's most innovative products specified for commercial washrooms and industrial safety applications



Frost has earned a reputation for manufacturing quality washroom products that offer both durability and value.



From hand dryers and hair dryers, to vacuums, purifying fans and lighting, Dyson technology is engineered with your employees and guests in mind.

Washroom Accessories



LED Mirrors

Illuminated mirrors emit directional light at eye level and allow you to avoid the deep shadows cast by overhead lighting. These mirrors offer subtle, soft lighting with luxurious design.



LEFT: Landscape LED Mirror 36" x 32"
RIGHT: Modena LED Mirror 24" x 32"



LED Mirror Medicine Cabinets

Combine brightness and functionality to your bathroom with a LED Mirror Medicine Cabinet. Available with single or double doors to easily access your cabinet's contents with adjustable glass shelves.



LEFT: Antica LED Mirror Medicine Cabinet
RIGHT: Cassini LED Mirror Medicine Cabinet



Standard Medicine Cabinets

Every bathroom needs a mirror and combining it with additional storage is the perfect solution for your space. Available with single or tri-view doors and adjustable shelves.



LEFT: Ashfield Framed Single Door Medicine Cabinet
RIGHT: Fairfield Tri-View Mirror Medicine Cabinet

Taymor 4 Piece Bathroom Sets

Taymor®

- Towel Bar, Paper Holder, Towel Ring, Robe Hook
- Concealed surface or screw mount
- Limited lifetime warranty



Ultra 4pc Set
15, 26



Naples 4pc Set
15, 26



Spellbound 4pc Set
26

Finishes Available



15
Satin Nickel



26
Polished Chrome



Exterior Door Systems



Built for the Canadian Climate

Madero's door systems are tailored to withstand the extreme Canadian climate. A versatile program featuring single exterior door openings used throughout your home and yard. Steel and fiberglass slabs are partnered with wood, composite or aluminum clad frames. Madero doors are built with quality and performance in mind, with options to fit your style and budget.

ECONOMY

Import Warm White Steel Slab
Wood Frame

BASIC

High Definition Steel Slab
Wood Frame

MAVERICK

Smooth White Fiberglass Slab
Wood Frame

DAKOTA

High Definition Steel Slab
Composite Frame

TITAN

Smooth White Fiberglass
Slab Composite Frame

WORKHORSE COMBO

High Definition Steel Slab
Double Rabbeted Wood Frame

WORKHORSE STEELCOMP

High Definition Steel Slab
Double Rabbeted Composite Frame

WORKHORSE COMBOPLUS

Smooth White Fiberglass Slab
Double Rabbeted Wood Frame

WORKHORSE FIBERCOMP

Smooth White Fiberglass Slab
Double Rabbeted Composite Frame

ENTRY DOORS



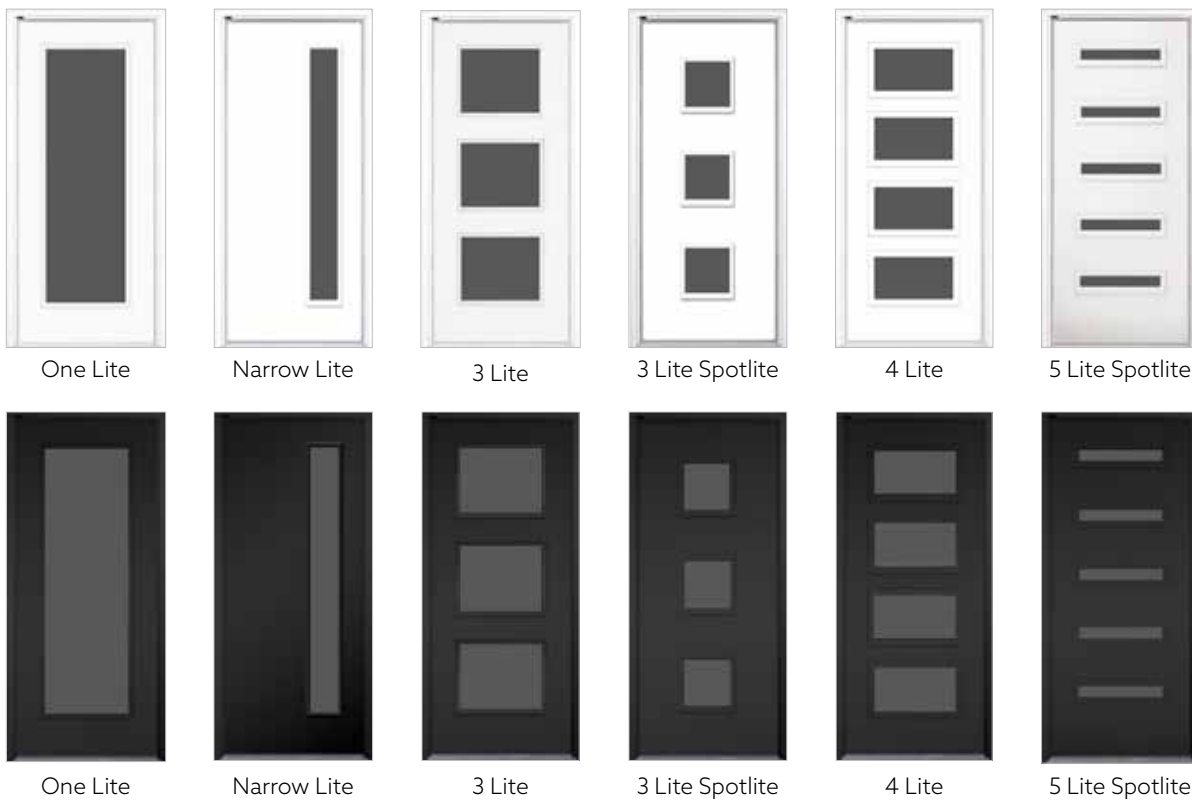
DESIGNER ENTRY SERIES

Designer Entry Series

Modern designs with the functionality of the Entry Collection. Madero offers a popular line-up of entry doors that provide the utmost street appeal. Our doors are built with quality and performance in mind; perfect for all single openings. For designer options to fit your style and budget - choose Madero.

Black & White Series

Available in steel doors only, this system features a factory Polytex finish: black on the exterior, white on the interior. The frame is clad with black aluminum to the exterior and is complete with slimline aluminum brickmould. Available as inswing only.





ARTISAN DOORS

Madero door units are manufactured with 24 gauge steel, smooth white fiberglass or textured fiberglass slabs. Prehung in frame options of wood, white composite or textured composite partnered with a bronze sill and weather tight seals.

Simply decide the design and products that work best for your home, select your door size, jamb depth, door handing and if required, complementary glass. It is that simple.

Madero Artisan Door Designs

Visit Madero.ca for more options and configurations. *Available in black exterior, white interior.

Contemporary Teak



Unfinished Teak Light Oak Teak Medium Oak Teak

Rustic Mahogany



RG12 1 Panel Plank RG22 2 Panel Plank

3/4 Lite



3/4 Lite *3/4 Lite Neulite

Panelled Steel



Soho Vog Tao

4 Lite Neulite



*4 Lite

Narrow Lite



* Narrow Lite Neulite



Linea

3 Panel Equal



3 Panel Equal

Craftsman



Classic Craftsman Contemporary Craftsman *Victoria Craftsman

One Lite



One Lite



Flush



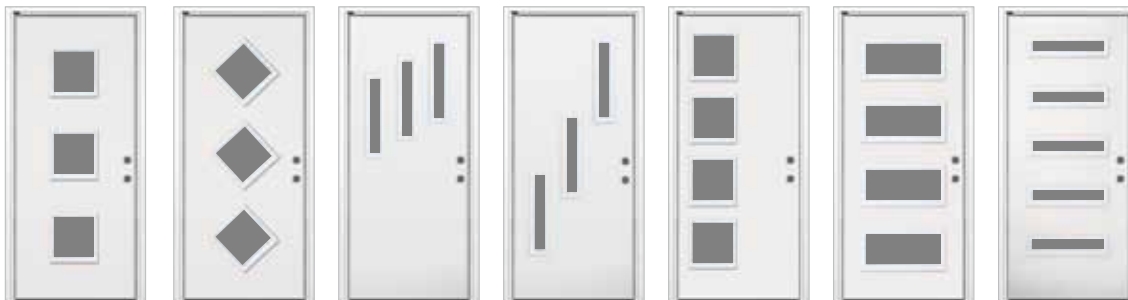
*One Lite Neulite

1/2 Lite



1/2 Lite

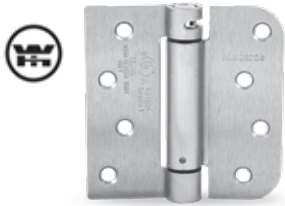
Spotlites



3 Lite Square 3 Lite Diamond 3LVA 3 Lite Vertical 3LVB 3 Lite Vertical 4 Lite Square 4 Lite 22 x 10 5 Lite Horizontal

Customize Your Door

Madero's Entry Series door systems have been developed to meet the needs of both residential and commercial environments. Ordered from factory, the add-ons shown below further enhance the door systems for use in your home, garage, shed, or outbuilding.



Self-Closing Hinges

These hinges are placed in the bottom and middle hinge pockets to pull the door shut after it has been opened and released. Tension is to be adjusted on site.



Door Viewer

Allows sight through the door. Cannot be used with any half lite glass options.



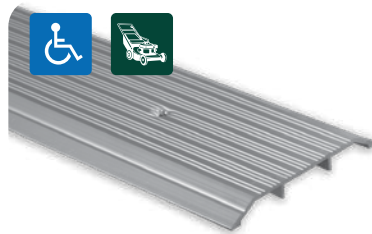
GW124 Shoe

Shoes are attached to the bottom of your door to provide draft protection. The PVC and mohair fins provide an air tight seal between the sill and the door.



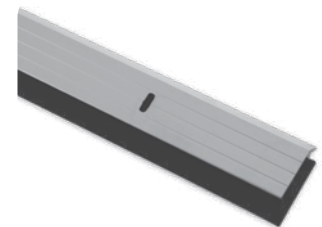
PP3322 Brickmould

Primed double bead finger joint pine brickmould can replace 180 step brickmould. Specify at time of ordering.



Commercial Sill

Low profile access provides an uninterrupted entry line, allowing ease of mobility for lawnmowers, dollies, etc. Standard sweep not recommended. Net Frame height: 80-1/8". Ideal for sheds, garages & outbuildings.



Commercial Sweep

Designed for use in conjunction with the commercial sill.



Energy Star and/or NAFS Compliant

NAFS Sill, with an articulating cap is required in construction requiring a building permit in most Canadian jurisdictions. ENERGY STAR products are independently certified to save energy without sacrificing features or functionality.

Inswing Net Frame height: 82-1/4"
Outswing Net Frame height: 81-1/4"



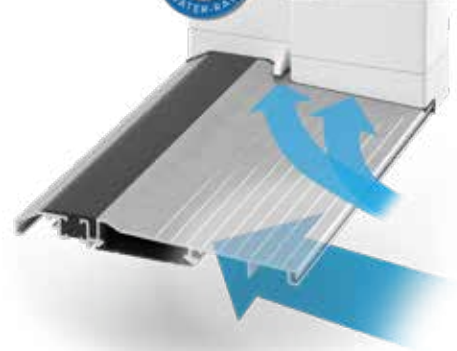
ADaptive Sill System

Low profile access provides for ease of mobility for wheelchairs. See Page 37 for more details.



ADaptive Sill System

Low profile access provides for ease of mobility for wheelchairs. The thermal break in the sill deters frost buildup. An innovative jamb boot supports a weather-tight seal and secure corner assembly. Full length caulking strip eliminates water penetration.



Door Specifications

Steel Doors

Steel doors have been the choice for residential usage for over 50 years. The variety of new panelled designs have maintained the popularity of the steel door.

5 YEAR
Limited
Manufacturer's
Warranty

Novatech



Finish with Ease

Entry doors are supplied with a N300 Primed finish, requiring no additional paint to achieve a 5 year limited warranty. Doors can easily be painted to match the style of your home - consider factory pre-finishing for your door and frame.



Durability

24 gauge door skins interlock with the stile, providing additional support to reduce delamination and stretching. Steel door skins will not crack or warp, unlike wood.

Strength

A 12" wood lock block provides additional strength and structure to support most residential hardware.

Energy Efficiency

Filled with an insulating core of 100% CFC free polyurethane foam, providing a superior energy rating over a standard styrene core product.

Cost

Steel entry doors are more affordable compared to wood or fiberglass.

ECONOMY

Import Warm White Steel Slab
Wood Frame

BASIC

High Definition Steel Slab
Wood Frame

DAKOTA

High Definition Steel Slab
Composite Frame

WORKHORSE COMBO

High Definition Steel Slab
Double Rabbeted Wood Frame



Fiberglass Doors

Built for the Canadian Climate

In 2005, Madero partnered with NanYa Plastics, a world leader in the manufacturing of fiberglass, working with Canadian R & D Corp. to develop a maintenance free door and frame system, which meets the climate conditions found within the Canadian market.

25 YEAR
Limited
Manufacturer's
Warranty



Finish with Ease

Smooth white fiberglass doors are supplied in their natural pre-pigmented warm white finish. Though painting is not required to achieve a full 25 year limited warranty, doors can easily be painted to the color of your choosing.



Durability & Performance

Fiberglass skins are resistant to dents, dings, splintering and corrosion. The rigid structure of our fiberglass doors prevent bowing and warping in extreme temperatures.

Exceptional Security

The full length steel reinforced wood lock block offers a high level of security, while allowing a range of hardware mounting options.

Completely Waterproof

Waterproof composite stiles and rails are sealed and finished to protect all edges of the door from moisture penetration, which can harm the inner insulation and cause rotting.

Energy Efficiency

Filled with an insulating core of 100% CFC free polyurethane foam, providing an excellent R rating, while bonding the two door skins together for additional strength.



WORKHORSE^M COMBOPLUS

Smooth White Fiberglass Slab
Double Rabbeted Wood Frame

TITAN^M

Smooth White Fiberglass Slab
Composite Frame

MAVERICK^M

Smooth White Fiberglass Slab
Wood Frame

Door Frames

Simple Solutions® Corner Pad Weatherstripping

Small in size but big in impact. The Simple Solution Corner Pad seals out air and moisture. Compression weatherstrip seals tight when the door is closed and expands when opened, providing a long-lasting weather-tight solution.



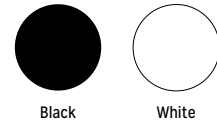
Ball Bearing Hinges

All Madero Entry Series door systems ship complete with 4" x 4" ball bearing hinges. Madero's standard hinge finish is C-2G zinc plated.



Metal Cladding Options

Entry Series available with white or black aluminum cladding (exterior of jamb only) with optional slimline aluminum brickmould.



Cladding not available on outswing.

Snaplock Nailing Fin

(Maverick, Titan, Workhorse SteelComp, Workhorse FiberComp only.)

Incorporating a hinge-style design, Madero's SnapLock nailing fin snaps into place for new home construction or can be scored and trimmed if not required.



Wood Frame

Kiln dried, primed finger-joint pine—double primed for quality performance and ease of painting. Wood frame requires paint on all exposed surfaces within 45 days of purchase.



Composite Frame

Pre-pigmented smooth white frame components are a blend of PVC and wood fiber composite substrate. Composite will not discolour, absorb moisture, splinter, or rot. Smooth white composite does not require paint.



Product Measurements

Product Measurements For 6/8 height

All Entry Series doors are available in 2" x 4" (4-9/16") or 2" x 6" (6-9/16") construction, left hand or right hand application and inswing or outswing. Economy door systems are available as inswing applications only.

Entry Series Single Door	Net Frame	
	Inswing	Outswing
2/6	31-1/2" x 81-5/8"	31-1/2" x 81"
2/8	33-1/2" x 81-5/8"	33-1/2" x 81"
2/10	35-1/2" x 81-5/8"	35-1/2" x 81"
3/0	37-1/2" x 81-5/8"	37-1/2" x 81"

Rough Opening Measurements (RO)

Add 1" to width of net frame
Add 1/2" to height of net frame

Outside Measurements of Brickmould (OSM)

Inswing: Add 2-1/2" to width of net frame
Add 1-1/4" to height of net frame

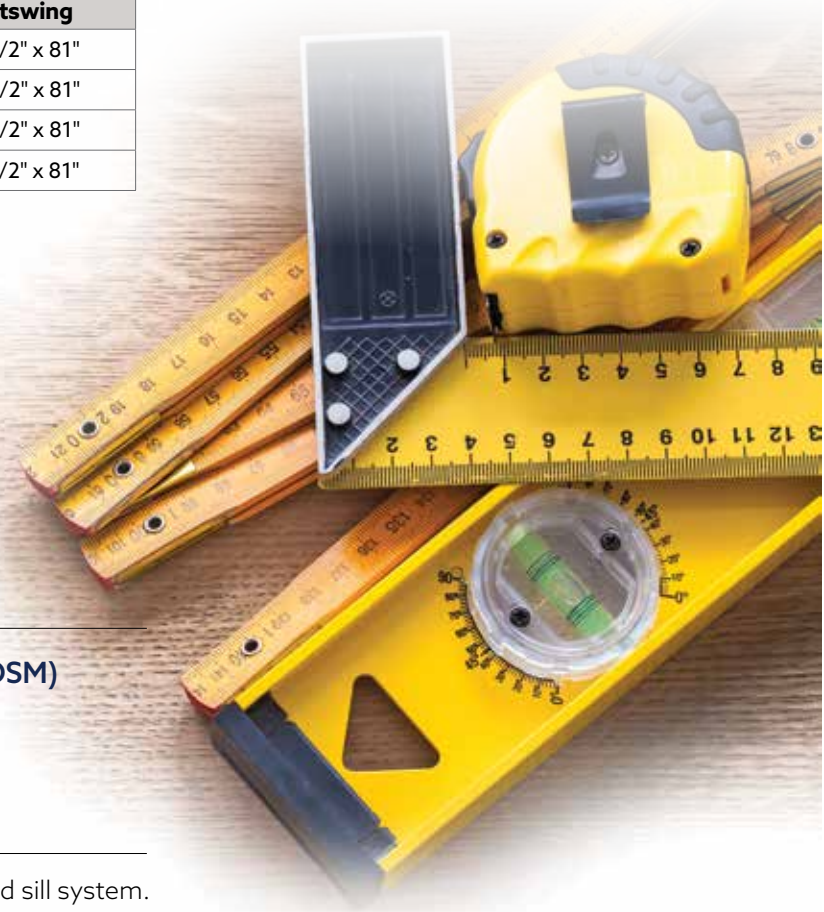
Outswing: Add 3" to width of net frame
Add 1-1/2" to height of net frame

Outside Measurements of Slimline Aluminum (OSM)

Inswing: Add 15/16" to width of net frame
Add 1/2" to height of net frame

Outswing: Not Available

Note: Above measurements comply with the Endura fixed sill system.



Interior Door Systems



Moulded Panel Doors | 20M Fire Rated Doors

The Masonite Collection of doors feature a smooth primed product ready for painting. Composite material provides a highly durable product at great value and a timeless look for years to come.

Stocking Size Specifications

Nominal size	Actual Size	Door Thickness	Core	Bevel
2/8 x 6/8	31-3/4" x 79-1/8"	1-3/4"	Particle Core	2 Edge
3/0 x 6/8	35-3/4" x 79-1/8"	1-3/4"	Particle Core	2 Edge

Special order: Widths 2/0 to 3/6 and 7/0 (83-1/8") in height.

Specifications

Paint

Paintable moulded wood; smooth primed surface.
Factory painting and polybagging upon request



Fire Rating

A 20 minute rated door meets requirements for a 60 minute wall rating
DOORS: Fire rated to 20 minutes with a label attached.
DOORS: Fire rated to 45 minutes with a label attached. (Primed Hardboard only)

Door Preparation/ Templates

Framed prepped for 3 4-1/2" x 4" square leaf hinges. Frame prepped for ASA strike.

Handing

Hand (swing) of door from key opening side:



Hardware Consideration

Door stile widths are designed to accommodate standard roses on residential lever locks. Commercial and architectural hardware may require special consideration.



Carrara
CARR • 2PSM
Smooth only

Classique
CLASS • 2ARTX
Textured: 80" only

Colonist
COL • 6PTX/SM
Smooth or Textured

Coventry
COV • 4PSM
Smooth only

Roman
ROM • 2ROMNSM
Smooth only;
(96" height not available in bifold)

Lincoln Park
LINC
1-Panel Equal

Winslow
WINS
3-Panel: 1 Square Panel with 2 Vertical Panels

Logan
LOGAN
2-Panel

Primed Hardboard
HARDP
Flush



20M Fire Rated Frames

Complement your new door with a frame designed from primed finger-jointed pine or composite (smooth white or textured woodgrain). Available in 20 minute fire rating only.

For 45-90 minute fire ratings, see our selection of galvanized hollow metal frames.

Consider a Prehung System for Ease of Install.

20M Fire Rated Finger-Joint Pine Frame (Primed)

With Kerf Weatherstripping

Primed, kiln-dried finger-jointed pine jambs provide beauty and strength with a Warnock Hersey certified 20 minute fire rating. Suitable for interior or exterior use. Weatherstrip available in black or white.

Sizes: To partner with the door

Jamb depth: Up to 8-7/8"



Frame with kerf weatherstripping

Without Kerf Weatherstripping

Primed, kiln-dried finger-jointed pine jambs comply with a Warnock Hersey 20 minute fire rating. Optional smoke seal can be used with this jamb for extra sound and smoke protection.

Sizes: To partner with the door

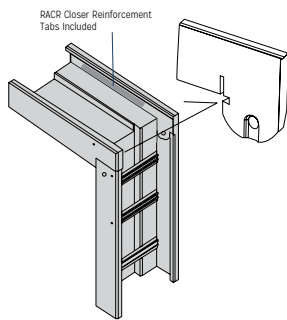
Jamb depth: Up to 7-13/16"



Frame without kerf weatherstripping

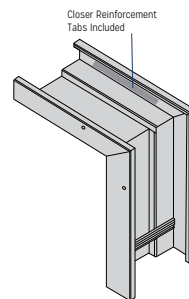
Expandable Frame Series

Reversible Square Corner - 18 ga. Steel



Expandable Miter Frame Series

Mitred Corner - 16 ga. Steel (Non-reversible)



Hollow Metal Frames

EF Mitred Corner - 16 ga. Steel (Non-reversible)

Usage: Interior or exterior — residential, commercial or industrial

Single opening

16 gauge galvaneal steel is fully welded across the visible side of both faces. Exposed welds are ground, finished and prime painted. Each frame will have two spreader bars tack welded in place. The spreader bars are used to square the frame and keep it stable during shipping to site.



Fire Rating

up to 180 minute

Rough Opening

Width = Nominal door width plus 4-1/4"

Height = Nominal door height plus 2-1/4"

Finishing

Galvaneal steel is matte grey and ready for the finish paint—primer is not required.

Suite Entry Hardware Options

700 Series Door Closer

The DOREX 700 Series fixed power door closer is recommended by door hardware specialists for use on a wide variety of residential and commercial applications with moderate traffic.

Specifications:

- For moderate traffic applications
- Non-handed
- Cast aluminum alloy body
- Hydraulic rack & pinion mechanism
- Non-gumming, non-freezing hydraulic fluid
- 180° maximum opening
- 5 Year limited warranty



Self Closing Hinges

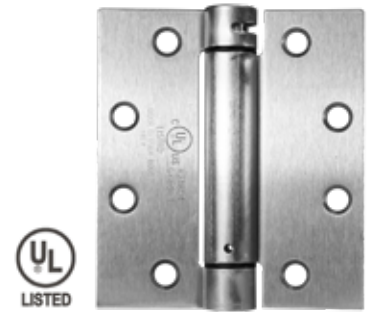
- Satin Chrome finish
- Quality wood screws and undercut machine screws are included

Installation

- 2 required. Recommended installation—middle and lower hinge placement. Eliminates the weight bearing strain on the top hinge

Hollow Metal Frames: 4-1/2" x 4" square leaf, ball bearing

Wood Frames: 4-1/2" x 4" square leaf, ball bearing



Door Viewer

Cal Royal (ULDV200 Viewer)

Specifications

- For doors 1-3/8" to 2" thick
- Finishes: 615, 626, 625, 10B
- 200 degree glass lens
- Bore: 9/16"
- UL Listed for 90 Minutes / ANSI, BHMA



Smoke Seal

S88BL Pemko

Specifications

- Silicon polymer, self adhesive, black
- Effective temperature range of -58° to +450° Fahrenheit (-50° to +232° Celcius)
- Not affected by mildew, fungus or ultra-violet light



Door Numbers

Specifications

- Made of solid brass
- 4" high
- Screws included
- Available in Bright Brass, Satin Nickel and Aged Bronzeultra-violet light



Knobs, Levers & Deadbolts

Dexter Deadbolt & Levers

Must be specified to contain UL rated latch to comply with fire rating requirements.



- Strongest locks in the opening price point category
- Dexter designs corresponds with Schlage's most popular designs
- Easy to install
- May be keyed to the Schlage C keyway
- Dual or triple option latches come standard
- Fits standard door preps



Solstice/Collins
619, 625, 626, 716



Seville
619, 625, 716



Stratus
619, 625, 716



Corona
630



Broadway Collins
619



Marin
619, 630

Finishes Available



619
Satin Nickel



625
Bright Chrome



620
Antique Pewter



626
Satin Chrome



630
Satin Stainless Steel

Schlage Interior Locksets



- Available in dummy, passage and privacy function
- Designed to resist a variety of security attacks, including kick-ins, credit card, picking, and bumping
- Installation is a snap with posts that guide the screw into the proper location
- Fits all standard door preps, with lever designs reversible in-field
- Master keying and construction keying available upon request



Plymouth/Greenwich
619, 620, 622, 625, 626, 716



Broadway
619, 622, 625, 626, 716



Latitude/Collins
608, 619, 626



Latitude
619, 622, 625, 626



Accent
619, 620, 622, 625, 716



3-hour UL listed
fire cup/latch
available

Finishes Available



608
Satin Brass



619
Satin Nickel



625
Bright Chrome



620
Antique Pewter



626
Satin Chrome



622
Matte Black



716
Aged Bronze

Masonite Interior Door Collection

The Masonite Collection of doors feature a smooth primed surface ready for painting. These doors feature a composite material which provides a highly durable product at great value and a timeless look for years to come.



NOTE: Nominal and actual sizes are the same

Height	6/8
Widths	1/6, 2/0, 2/4, 2/6, 2/8, 2/10, 3/0
Thickness	1-3/8" (1-3/4" Hollow core, solid core - special order)
Core	<p>Hollow Core</p> <ul style="list-style-type: none"> • Perfect solution for budget-minded customers • 1-3/8" thickness available, primed white and ready to paint. • Contains pre-consumer recycled content, resource efficient materials and a honeycomb core. <p>Safe 'n Sound Solid Core (Special Order)</p> <ul style="list-style-type: none"> • For reduced sound transmission; ideal for bathrooms and bedrooms where privacy and safety are a concern. • Manufactured with DorCor™, a low density fiberboard made from wheat straw (annually renewable, agricultural, wheat by-product).
Paint	Paintable moulded wood; smooth primed surface
Door Preparation	Doors prepped at 44" or 40" with 3-1/2" ball bearing 1/4" radius leaf (handed) or 5/8" radius / square leaf for (reversible).
Handing	<p>Hand (swing) of door from key opening side</p>
Warranty	1 year limited warranty



hollow core



safe'n sound
SOLID CORE MOULDED PANEL DOORS



Carrara
CARR • 2PSM
Smooth only

Classique
CLASS • 2ARTX
Textured: 80" only

Colonist
COL • 6PTX/SM
Smooth or Textured

Coventry
COV • 4PSM
Smooth only

Roman
ROM • 2ROMNSM
Smooth only:
(96" height not available in bifold)

Lincoln Park
LINC
1-Panel Equal

Winslow
WINS
3-Panel: 1 Square Panel with 2 Vertical Panels

Logan
LOGAN
2-Panel

Primed Hardboard
HARDP
Flush

FJP Finger Joint Pine Flat Jambs c/w 936C Colonial Stop

- Jamb packs ship complete with jamb, stop and a set of 3 3-1/2" hinges in the finish of your choice.
- Available in handed with ball bearing or reversible plain bearing specification.

Rough Opening

Width = Door width plus 2" | **Height** = Door height plus 1-1/4"



FJP Flat Jambs and Stop

Finger-joint Pine 1-3/8" Rabbeted Jamb

- Jamb pack ships complete with jamb and a set of 3 3-1/2" ball bearing hinges in the finish of your choice.
- Available in right handing or left handing only.
- Consider pre-hung unit for ease of install.

Rough Opening

Width = Door Width plus 2" | **Height** = Door Height plus 1-1/4"



Finger-joint Rabbeted Jamb

Residential Door Hinges



Reversible Hinge



1/4" Radius Ball Bearing Hinge

Finishes Available



C-2G
Zinc Plated



C-4
Brushed Brass



C-10B
Oil Rubbed Bronze



C-15
Satin Nickel



**C-15A/
C-17A**
Antique Nickel



C-26D
Brushed Chrome



C-32D
Stainless Steel



C-ID
Matte Black





Barn Door Kits



Barn Track Hardware Kits

Hangers	Bent Strap, Straight Strap or Top of Door Strap
Application	1-3/8" to 1-3/4" thick door; maximum weight 250 lbs per door
Track	78-3/4" or 96" trimmable flat track; 1-9/16" height
Opening	Up to 36" wide; multiple tracks required for wider openings
Finishes	Matte Black or Stainless Steel
Contents	Hardened steel track, wall spacers, anti- jump blocks, track end stops, floor guide, wall-mounted guide, floor-mounted guide, track mounting screws, concrete bolts and anchors



Bent Strap



Straight Strap



Top of Door Strap



Matte Black



Stainless Steel



RENIN

Complete Barn Door Kits

Renin's Barn Door Kits have everything you need to transform a space and create an instant focal point you'll be proud to share. Available in a variety of designs and finishes to match the style of your home.

Kits include a ready-to-install door with pre-drilled mounting holes, bottom groove guide and matching backer board, matte black hanging hardware and matching handle.



Sierra Barn Door Kit
SIER 3/O UP BKBS



Boca 1 Panel Barn Door Kit
BOCA3/O PW BKBS



Pavilion 5 Lite
Frosted Barn Door Kit
PAV3/O BW BKBS



Hall 3 Lite Frosted
Barn Door Kit
HALL3/O IA BKBS



Stone K Barn Door Kit
Primed White
STONE3/O PW BKBS



Stone K Barn Door Kit
Silver Oak
STONE3/O SO BKBS



Pocket Door Hardware

Johnson Pocket 1500 \$

Suitable for 1-3/8" doors up to 125 lbs each. 1-3/4" requires adapter kit.

This series is designed to carry heavy standard size doors in standard 2 x 4 timber or steel framed stud walls. It is versatile and can be adapted for use in non standard wall thicknesses, block masonry walls, and can be cut down to accept any smaller size door.

Stocking Size	Max 36" width x 6/8, 8/0 height; 4-1/2", 6-1/2" wall thickness
Application	Interior, Residential
Capacity	125 lbs (57 kg) each
Door Thickness	1-3/8", 1-3/4 requires adapter kit
Add-Ons	Johnson 1060 Soft Close Kit

Make your sliding doors soft close quietly and securely.

Features

- For doors up to 200 lbs (91 kg).
- Use with new or existing Johnson Hardware sliding and pocket door hardware
- Holds door securely in place.
- Prevents pinched fingers between door and jamb.

Johnson 1125 Ball Bearing Wheel Kit

Features

- For doors up to 200 lbs (91 kg).
- 3/4" wheel diameter
- Height adjustable
- Commercial Grade



Johnson 1060 Soft Close Kit



Johnson 1125 Ball Bearing Wheel Kit

Crowder Type C Pocket \$\$

Suitable for doors to 150 lbs.

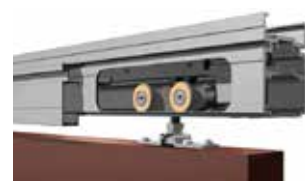
This series provides easier and quicker installation than a traditional pocket door frame built on site thanks to its quick release hanger.

- Can be installed in single door or double bi-parting door applications
- Use with CP-801 Extruded Aluminum Header Track, 6061-T5 Alloy.

Size	Suitable for 2/0 to 3/0 wide and 6/8 to 7/0 doors
Application	Interior, Residential, Commercial
Capacity	150 lbs each
Door Thickness	For 1-3/8" to 1-3/4" wood doors

CC-493 Easy Connect Catch n' Close Hanger

- Provides easier and quicker installation than a traditional pocket door frame built on site
- Catch'N'Close system prevents bouncing and slamming of the sliding doors and can be installed on both the opening and closing ends of the door



CC-493 Easy Connect Catch n' Close Hanger



Sliding Door Hardware

Johnson 2610SC Sliding Track & Hardware \$



The 2610SC is a versatile and easy to install soft closing wall mounted sliding door hardware set ideally suited where the installation of a Pocket Door is not structurally possible or cost effective, including closets, storage rooms or anywhere space is limited. It is for interior use only and not suited for external applications.

Size	48" max width
Application	Interior, Residential
Capacity	1-3/8" or 1-3/4" doors up to 200 lbs (91kg) each
Finishes	Mill grade aluminum or anodized bronze

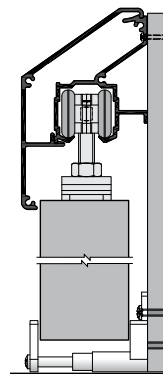


KrisTrack KT47 Wall Mount Sliding Door Track \$\$



From closet doors to custom room dividing door applications, KrisTrack manufacturers a complete range of sliding door hardware that is sure to meet your specific needs.

Size	Width and height of door may vary, provided weight does not exceed maximum hanger weight listed.
Application	Interior, Residential & Commercial
Capacity	1-3/8" or 1-3/4" doors
Finishes	Extruded aluminum, mill finish
Add-Ons	KT38 Hanger (for 1 door): Max door weight 132lbs (60kg) KT40 Hanger (for 1 door): Max door weight 220lbs (100kg)



KT38 Hanger



KT40 Hanger

KN Crowder C-108 Barn Style Track \$\$

For Single & Bi-Parting Wall Mounted Doors (Medium to Heavy Duty)

This track system is suitable for all types of heavy sliding doors. It features four precision, heavy duty ball bearing, nylon tire wheels per hanger. Locknuts hold the vertical adjustment. Crowder C-108 Side-Mount Track is an all-in-one track solution that eliminates the need for additional hardware or millwork, for wall mount sliding door conditions.



Size	Kits available for 24" [610mm] to 72" [1829mm] wide doors.
Application	Interior, Residential, Commercial
Capacity	1-3/8" or 1-3/4" doors up to 175lbs (80kg) each
Finishes	Mill finish, clear or bronze anodized
Add-Ons	C-110 Snap-on Fascia (shown) CC-993 Catch n' Close <ul style="list-style-type: none"> • Load Capacity 200 lbs. (two Hangers)



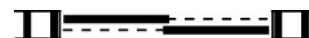


Bypass Door Hardware

Johnson 1166 Bypass Track & Hardware \$

An economical prefinished gold colored steel bypass track with convex track rails, which provide one point contact between wheel and track. One wheel (7/8" dia.) hangers with three point locking. One inch high woodtone adjustable door guide. Brass-tone steel parts.

Size	48", 60", 72"
Application	Interior, Residential
Capacity	1-3/8" or 1-3/4" doors up to 50 lbs (23kg) each
Finishes	Gold coloured steel



2-door bypass



3-door bypass



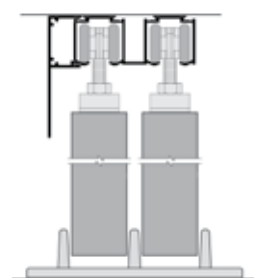
4-door bypass

KrisTrack KT50 Bypass \$

From closet doors to custom room dividing door applications, KrisTrack manufactures a complete range of sliding bypass door hardware that is sure to meet your specific needs.

Size	8 lengths available
Application	Interior, Residential & Commercial
Capacity	1-3/8" or 1-3/4" doors, 100-220 lbs (45-99kg) each, dependent on hanger. Max door height 84"
Finishes	Extruded aluminum, mill finish
Optional	KT5 Fascia, extruded aluminum painted white, 10 lengths

KrisTrack[®]



Crowder C400 Bypass \$\$

For Single & Bi-Parting, By-Passing, Pocket or Wall Mounted Doors.

This series provides the ultimate in smooth sliding door track performance. Eight ball bearing, nylon tire wheels per door. Features vertical adjustment by threaded door top plate and locknut. Ideal for mirror covered and solid core doors.

- Can be mounted side by side for by-pass applications (requires 2 kits).
- Use with Extruded Aluminum C-400 Track, 6063T5 Alloy.

Size	Kits available for 24" [610mm] to 72" [1829mm] wide doors.
Application	Interior, Residential, Commercial
Capacity	1-3/4" doors up to 125lbs each
Add-Ons	CCD-493-W Easy Connect Catch n' Close Hanger

- Available for use on top and side mounted tracks, pocket doors, single bi-parting doors, and some barn door applications.
- Smooth and silent operation and eliminates slamming
- Can be installed on the opening and closing end of doors as heavy as 150lbs. or 18" in width. The units have been cycle tested for 50,000 cycles without fail and can be replaced without removing the track.

KNC
K.N.CROWDER mfg. inc.



Mounting Applications



CCD-493-W Easy Connect Catch n' Close Hanger

WSI:



WSI:

wsimodular.ca | (780) 455-4613
Edmonton | Calgary | Saskatoon | Winnipeg

Designed & Printed by:

